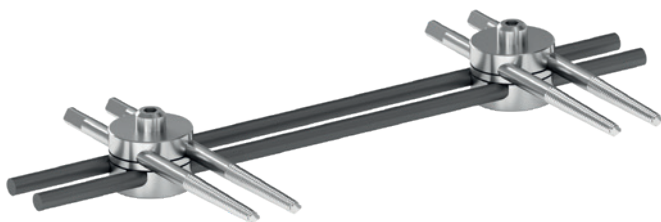


## KREAFIX MIDI FIXATEUR BASIC SET



Order code	Denomination	Piece/set
110.001.400.000	Locking plate D 4 mm	12
110.002.400.000	Locking plate D 4M mm	6
110.001.500.000	Locking plate D 5 mm	12
110.002.500.000	Locking plate D 5M mm	8
110.003.005.000	Spacer plate 0,5 mm	20
110.003.010.000	Spacer plate 1 mm	6
110.003.020.000	Spacer plate 2 mm	4
110.003.040.000	Spacer plate 4 mm	2
110.201.500.000	Screw M5x15-20mm	30
110.101.500.000	Linkage D5x100-300mm	20
110.202.400.000	Schans screw D 4x80-120mm	12
110.202.400.000	Schans screw D 4x70-110mm	12

## About the company

**BIONIKA** Medline Orvostechnikai Kft. is a member of the Swedish-Hungarian group of companies. It was founded in 1989. The owners of the company are Swedish and Hungarian citizens. We have a 30-year-experience in the field of medical instruments and implant development, production and trade.

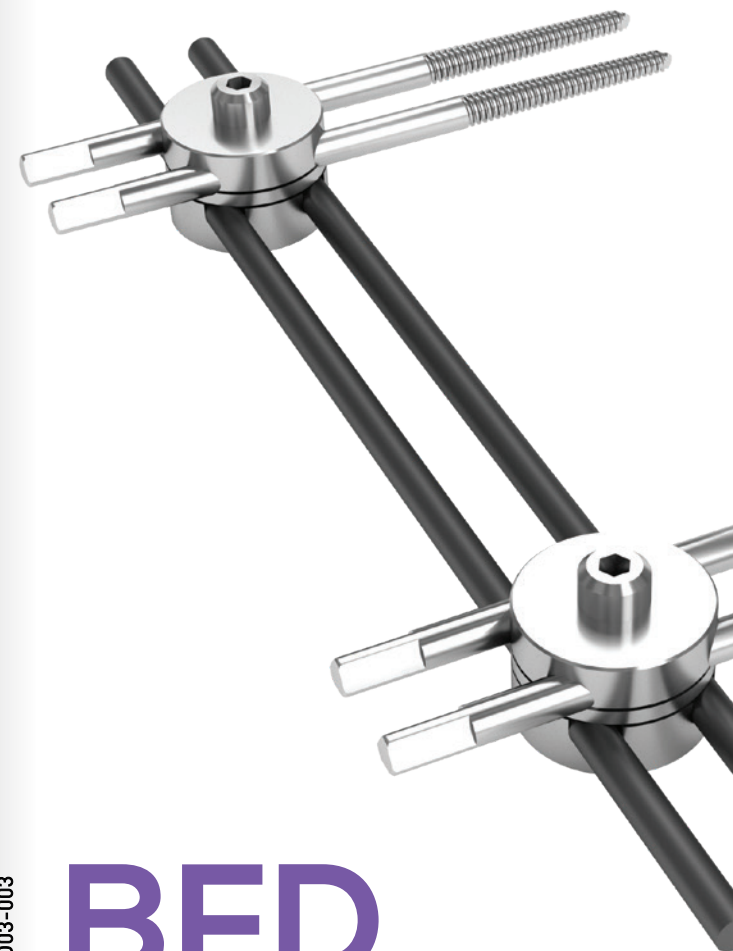
BIONIKA as a researcher, developer, manufacturer and distributor is present in dentistry, oral surgery, traumatology, orthopedics and rehabilitation in the medical-professional areas. According to our objective and perception, we attach great importance to the word „BIONIKA”, which marks a scientific thinking on the boundaries of biology, technology and electronics that combines these three areas in our researching and developing work.

**Clinical and technological experiences:** The continuous process, combination and utilization of clinical and technological experiences in development contributes to our success, up to the production base. Here you will find the best solutions and constructions suited to customer needs, which are under continuous development.

**Development:** The owners of BIONIKA put great emphasis on continuous product and technological research and development. Our products are developed in close collaboration with doctors and engineers, enabling us to ensure the world-class quality and practical utilization.

**Quality:** The quality of the products expected by our customers is guaranteed by design, manufacturing and quality management according to the harmonized European Union laws. The BIONIKA Medline Kft. is operated according to the EN ISO 9001 and the EN ISO 13485 quality management system. Our products are provided with CE marks.

**Guarantee:** After inserting the implant - the risk of the ossification process is assumed by BIONIKA, independently of cause and effect relationship – exchange guarantee is ensured within one year after the purchase. Otherwise, we provide a long-term, 10-year guarantee for our products.



K20-MD03-003

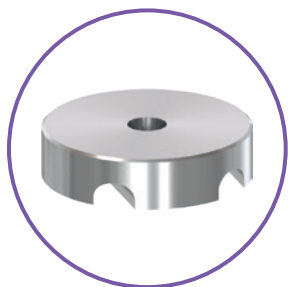
# BFD

## MIDI KREAFIX

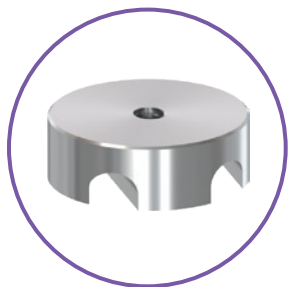
OUTER MODULAR BONE FIXATION

## BFD MIDI KRAFIX Elements

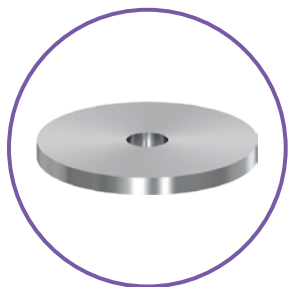
The basic distinctive characteristics are shown in the illustration below.



Locking plate D5



Locking plate D8



Spacer plate

BIONIKA Medline Kft • 3516 Miskolc, Tégla u. 29.  
[www.bionika.hu](http://www.bionika.hu) • [info@bionika.hu](mailto:info@bionika.hu)  
 phone: +36 70 670-6875

### Locking plate

Order code	Dimension
110.001.400.000	D 4 mm
110.002.400.000	D 4M mm


### Locking plate

Order code	Dimension
110.001.500.000	D 5 mm
110.002.500.000	D 5M mm

### Spacer plate

Order code	Dimension
110.003.005.000	0,5 mm
110.003.010.000	1 mm
110.003.020.000	2 mm
110.003.040.000	4 mm

### Screws

	110.201.500.150	15mm
	110.201.500.200	20mm
		Order code
		Dimension

M5 mm

### Linkages

Order code	Dimension
110.101.500.300	300mm
110.101.500.200	200mm
110.101.500.100	100mm
110.101.500.150	150mm
110.101.500.250	250mm
Order code	Dimension

D 5mm

### Schans screws

Order code	Dimension
110.202.400.120	120/35mm
110.202.400.100	100/35mm
110.202.400.800	80/35mm
110.203.400.700	70/20mm
110.203.400.900	90/20mm
110.203.400.110	110/20mm
Order code	Dimension

D 4mm