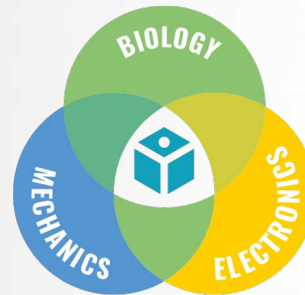


BIONIKA ABOUT THE COMPANY

BIONIKA as a researcher, developer, manufacturer and distributor is present in dentistry, oral surgery, traumatology, orthopedics and rehabilitation in the medical-professional areas. According to our objective and perception, we attach great importance to the word "BIONIKA", which marks a scientific thinking on the boundaries of biology, technology and electronics that combines these three areas in our researching and developing work.

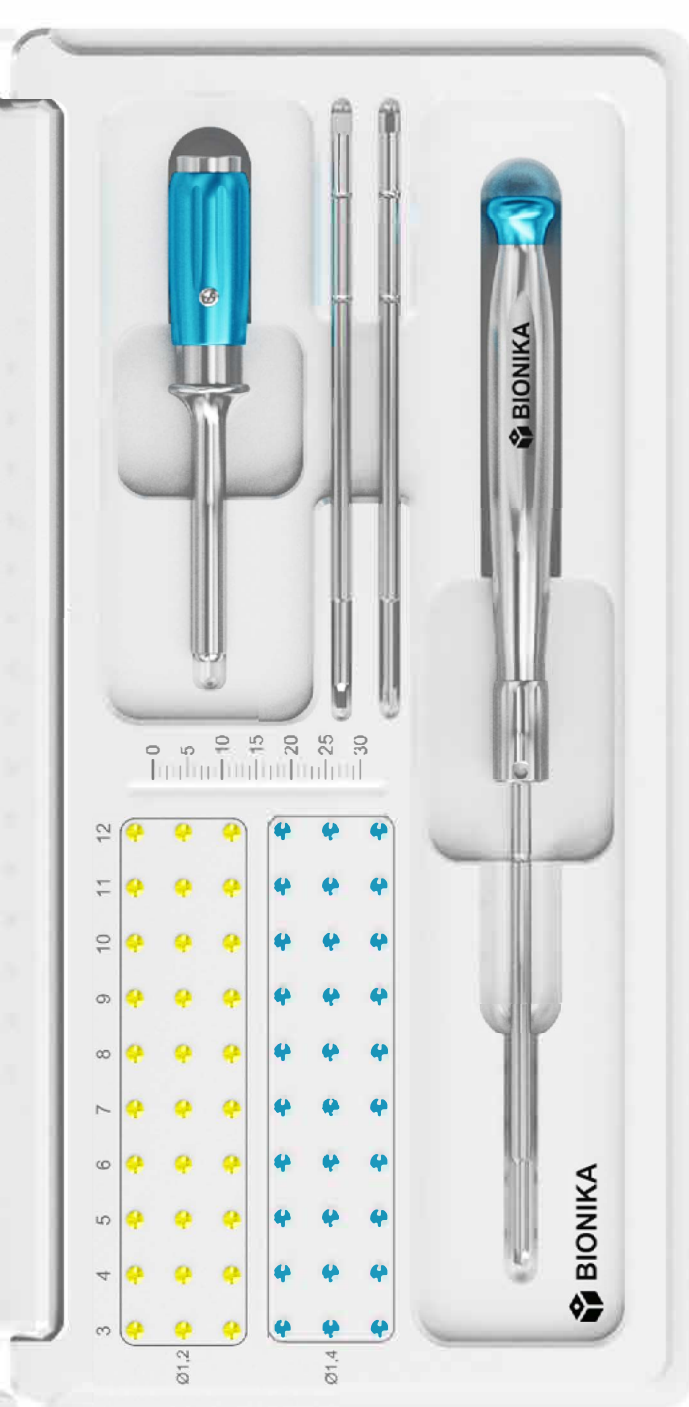
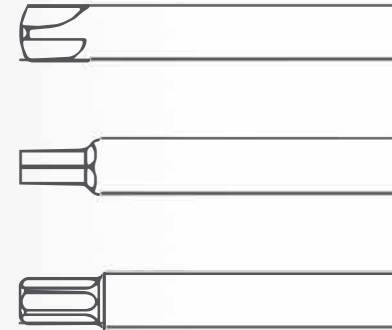


Clinical and technological experiences: The continuous process, combination and utilization of clinical and technological experiences in development contributes to our success, up to the production base. Here you will find the best solutions and constructions suited to customer needs, which are under continuous development.

Development: The owners of BIONIKA put great emphasis on continuous product and technological research and development. Our products are developed in close collaboration with doctors and engineers, enabling us to ensure the world-class quality and practical utilization.

Quality: The quality of the products expected by our customers is guaranteed by design, manufacturing and quality management according to the harmonized European Union laws. The BIONIKA Medline Kft. is operated according to the EN ISO 9001 and the EN ISO 13485 quality management system. Our products are provided with CE marks.

REPLACEABLE INSERTING SCREWDRIVER SET



Removable insert screwdriver

The use of the screwdriver



Removable insert screwdriver

The removable insert screwdriver kit consists of three independent elements:

- screwdriver handle with blade clamp
- screwdriver blade
- screw head gripper

Screwdriver blade types



CROSS HEAD

HEXAGON HEAD

TORX HEAD



Screws

Contents of the kit: Screws with a diameter of 1.2 and 1.4, with a length of 3mm to 12mm.

Their headforms are of crosscut or hexagon recessed head. Also available with a torx key aperture on request.

