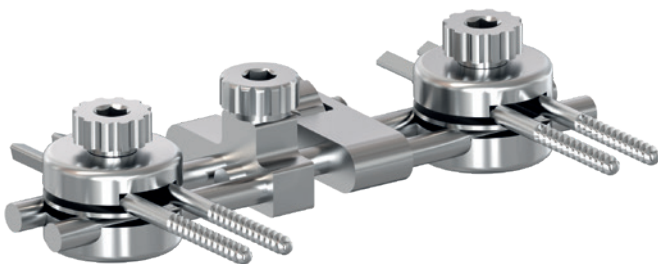


KREAFIX MINI FIXATEUR BASIC SET



Order code	Denomination	Piece/set
109.001.180.000	Locking plate D 1,8 mm	20
109.002.180.000	Locking plate D 1,8M mm	4
109.001.180.000	Locking plate D 3 mm	10
109.002.300.000	Locking plate D 3M mm	20
109.003.005.000	Spacer plate 0,5 mm	30
109.003.010.000	Spacer plate 1 mm	6
109.004.300.600	Simple distractor D3x60 mm	1
109.005.300.600	Double distractor D3x60 mm	1
109.201.400.000	Screw M4x10-15mm	20
109.101.300.000	Straight linkage D 3x40-100mm	16
109.102.300.000	Curved linkage D 3x40-100mm	8
109.103.300.000	Articulated linkage D 3x40-100mm	8
109.202.180.000	Schans screw D 1,8x30-50mm	12
109.202.300.000	Schans screw D 3x30-50mm	12

About the company

BIONIKA Medline Orvostechikai Kft. is a member of the Swedish-Hungarian group of companies. It was founded in 1989. The owners of the company are Swedish and Hungarian citizens. We have a 30-year-experience in the field of medical instruments and implant development, production and trade.

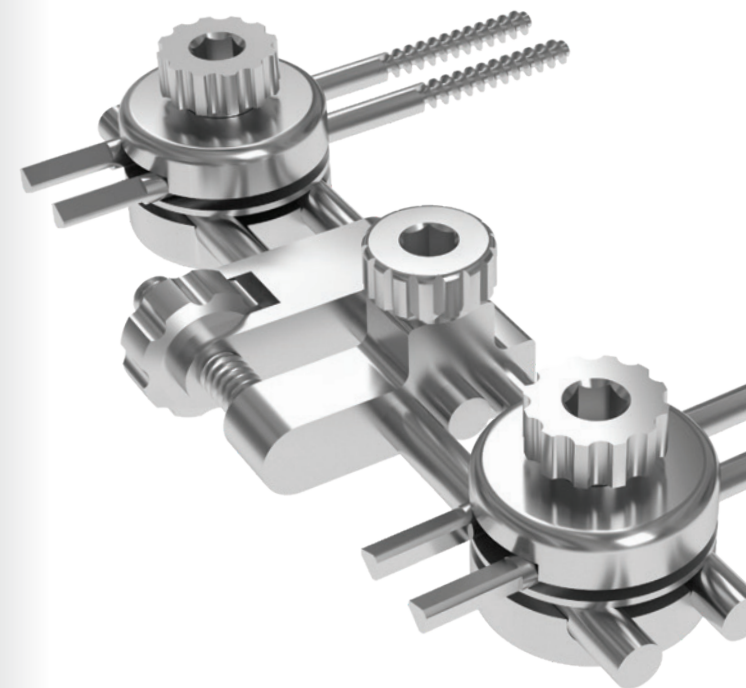
BIONIKA as a researcher, developer, manufacturer and distributor is present in dentistry, oral surgery, traumatology, orthopedics and rehabilitation in the medical-professional areas. According to our objective and perception, we attach great importance to the word „BIONIKA”, which marks a scientific thinking on the boundaries of biology, technology and electronics that combines these three areas in our researching and developing work.

Clinical and technological experiences: The continuous process, combination and utilization of clinical and technological experiences in development contributes to our success, up to the production base. Here you will find the best solutions and constructions suited to customer needs, which are under continuous development.

Development: The owners of BIONIKA put great emphasis on continuous product and technological research and development. Our products are developed in close collaboration with doctors and engineers, enabling us to ensure the world-class quality and practical utilization.

Quality: The quality of the products expected by our customers is guaranteed by design, manufacturing and quality management according to the harmonized European Union laws. The BIONIKA Medline Kft. is operated according to the EN ISO 9001 and the EN ISO 13485 quality management system. Our products are provided with CE marks.

Guarantee: After inserting the implant - the risk of the ossification process is assumed by BIONIKA, independently of cause and effect relationship – exchange guarantee is ensured within one year after the purchase. Otherwise, we provide a long-term, 10-year guarantee for our products.



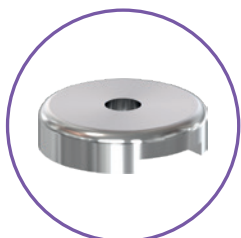
BFM

MINI KREAFIX

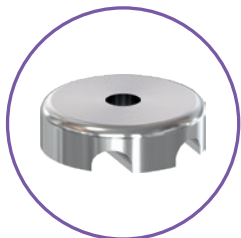
OUTER MODULAR BONE FIXATION

BFM MINI KRAFIX Elements

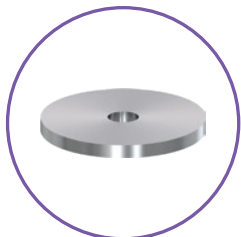
The basic distinctive characteristics are shown in the illustration below.



LOCKING PLATE D5



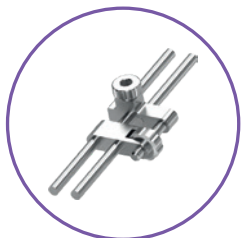
LOCKING PLATE D8



SPACER PLATE



SIMPLE DISTRACTOR



DOUBLE DISTRACTOR

LOCKING PLATE

Order code	Dimension
109.001.180.000	D 1,8 mm
109.002.180.000	D 1,8M mm

LOCKING PLATE

Order code	Dimension
109.001.300.000	D 3 mm
109.002.300.000	D 3M mm

SPACER PLATE

Order code	Dimension
109.003.005.000	0,5 mm
109.003.010.000	1 mm

SIMPLE DISTRACTOR

Order code	Dimension
109.004.300.600	D3x60 mm
109.004.300.800	D3x80 mm

DOUBLE DISTRACTOR

Order code	Dimension
109.005.300.600	D3x60 mm
109.005.300.800	D3x80 mm



STRAIGHT LINKAGES

